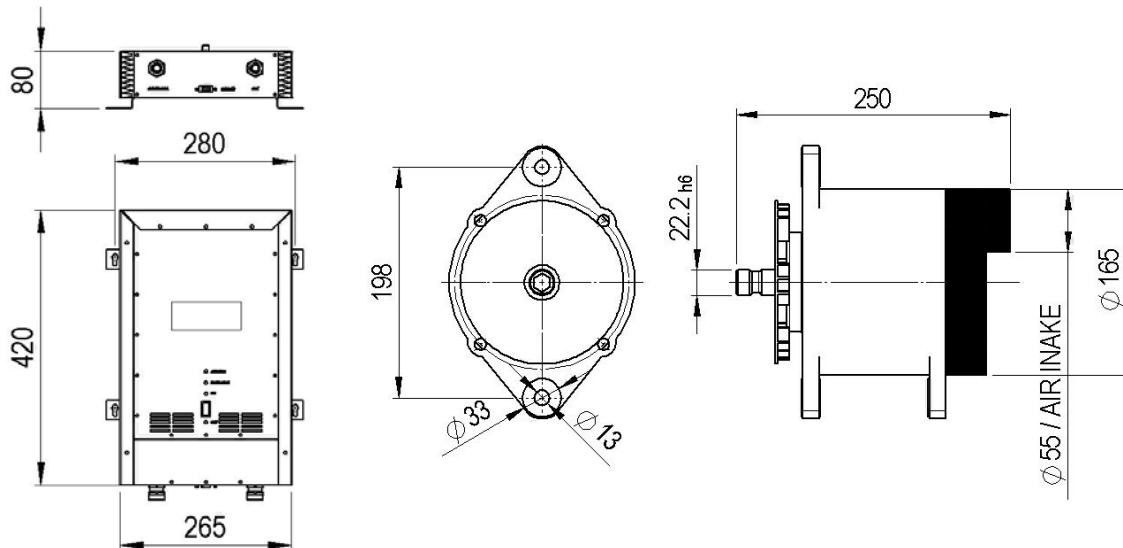


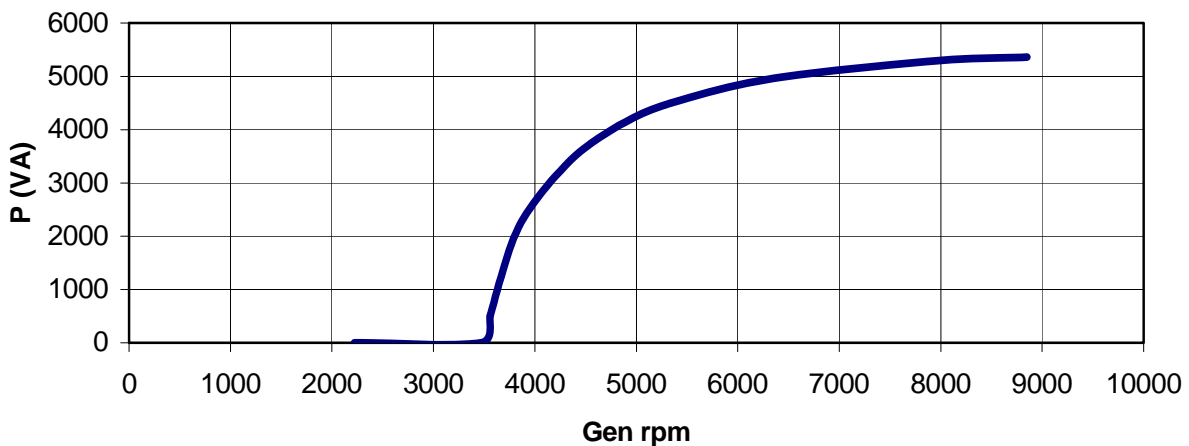
DYNAWATT® 5000

TECHNICAL DATA

| | |
|----------------------|---|
| Output Voltage: | 230 V AC +/- 5%,1-Phase |
| Output Frequency: | 50 Hz +/- 0.5% |
| Output Waveform: | sine wave |
| Output Power: | 5000 VA intermittend* @ 6000 rpm on generator 4500 VA continuous |
| Current: | 22 A continuous 64 A (2ms) surge |
| Excitation: | intern, self regulating |
| Generator Speed: | 13'000 rpm continuous 15'000 rpm intermittent |
| Weight control unit: | 9 kg |
| Weight Generator: | 7.5 kg |
| Protection circuits: | over voltage, overload, over temperature, short circuit *10 min per hour |
| Scope of supply: | Remote control with indicators and 7.5m cable Automatic power transfer switch Installation kits |



P(W)/ rpm Gen P30026C



Dynawatt Power Systems

Oberwolfhauserstrasse 10
CH-8633 Wolfhausen

Tel. +41-55-253 26 00
Fax +41-55-253-26 09

Web: www.dynawatt.com
E-mail: info@dynawatt.com